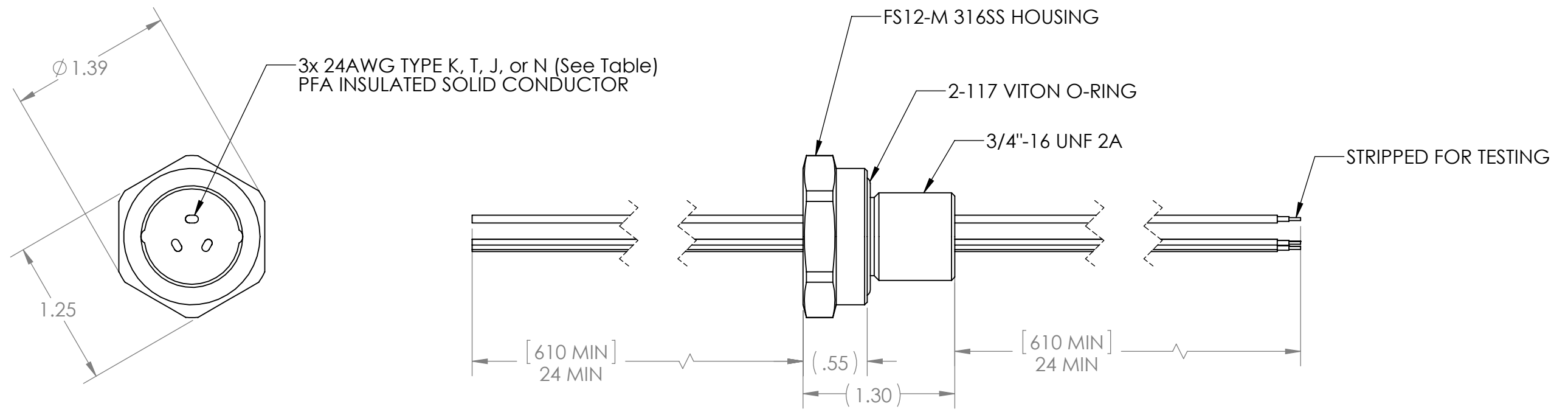



| REVISIONS |      |                 |             |          |
|-----------|------|-----------------|-------------|----------|
| ZONE      | REV. | DESCRIPTION     | DATE        | APPROVED |
|           | A    | INITIAL RELEASE | 07-Feb-2021 | MN       |



| PART NUMBER | TITLE                                               | WIRE TYPE |
|-------------|-----------------------------------------------------|-----------|
| 60693-K     | CABLE SEAL FS12-M SS316 (3P)#24<br>TYPE K PFA 24-24 | TYPE K    |
| 60693-T     | CABLE SEAL FS12-M SS316 (3P)#24<br>TYPE T PFA 24-24 | TYPE T    |
| 60693-J     | CABLE SEAL FS12-M SS316 (3P)#24<br>TYPE J PFA 24-24 | TYPE J    |
| 60693-N     | CABLE SEAL FS12-M SS316 (3P)#24<br>TYPE N PFA 24-24 | TYPE N    |

- NOTES:
1. HELIUM LEAK TEST @ 1 ATM 1X10<sup>-8</sup> STD-CC/SEC OR BETTER, VACUUM ON THREAD SIDE.
  2. HYPOT 300VDC 300 MEGOHMS 1 SECOND MINIMUM.
  3. SEAL OPERATING TEMPERATURE -20C TO 130C (WIRE TEMPERATURE RATING IS 250C).
  4. ASSEMBLY SUPPLIED WITH 304SS JAM NUT (1.0[25.4] HEX FLATS X 0.27[6.9] THICK).
  5. DIMENSIONS ARE INCHES [MILLIMETERS], MILLIMETERS SHOWN FOR REFERENCE ONLY.
  6. CUSTOM SIZES, WIRE OR FIBER OPTIC CONFIGURATIONS, & TESTS AVAILABLE, PLEASE CONTACT RHS FOR MORE INFORMATION.

|                                      |                                                                                                                                                                                                                                                   |              |                                                                                                                                           |           |
|--------------------------------------|---------------------------------------------------------------------------------------------------------------------------------------------------------------------------------------------------------------------------------------------------|--------------|-------------------------------------------------------------------------------------------------------------------------------------------|-----------|
| UNLESS OTHERWISE SPECIFIED:          | NAME                                                                                                                                                                                                                                              | DATE         |  <p><b>RHS Seals</b><br/>RELIABLE HERMETIC SEALS</p> |           |
| DIMENSIONS ARE IN INCHES             | DRAWN                                                                                                                                                                                                                                             | MM           |                                                                                                                                           | 07FEB2021 |
| TOLERANCES:                          | CHECKED                                                                                                                                                                                                                                           |              |                                                                                                                                           |           |
| FRACTIONAL ±1/16                     | ENG APPR.                                                                                                                                                                                                                                         | MN           |                                                                                                                                           | 07FEB2021 |
| ANGULAR ±.5                          | MFG APPR.                                                                                                                                                                                                                                         |              |                                                                                                                                           |           |
| X. ±1 .X ±.1                         | Q.A.                                                                                                                                                                                                                                              |              |                                                                                                                                           |           |
| .XX ±.02 .XXX ±.005                  | <b>PROPRIETARY AND CONFIDENTIAL</b><br>THE INFORMATION CONTAINED IN THIS DRAWING IS THE SOLE PROPERTY OF RELIABLE HERMETIC SEALS. ANY REPRODUCTION IN PART OR AS A WHOLE WITHOUT THE WRITTEN PERMISSION OF RELIABLE HERMETIC SEALS IS PROHIBITED. |              |                                                                                                                                           |           |
| INTERPRET GEOMETRIC TOLERANCING PER: | SIZE                                                                                                                                                                                                                                              | DWG. NO.     | REV                                                                                                                                       |           |
| MATERIAL                             | <b>B</b>                                                                                                                                                                                                                                          | <b>60693</b> | <b>A</b>                                                                                                                                  |           |
| SEE ABOVE                            | SCALE: 1:1                                                                                                                                                                                                                                        | WEIGHT:      | SHEET 1 OF 1                                                                                                                              |           |
| FINISH                               | SEE TABLE FOR FULL PART NUMBER                                                                                                                                                                                                                    |              |                                                                                                                                           |           |
| N/A                                  |                                                                                                                                                                                                                                                   |              |                                                                                                                                           |           |
| DO NOT SCALE DRAWING                 |                                                                                                                                                                                                                                                   |              |                                                                                                                                           |           |